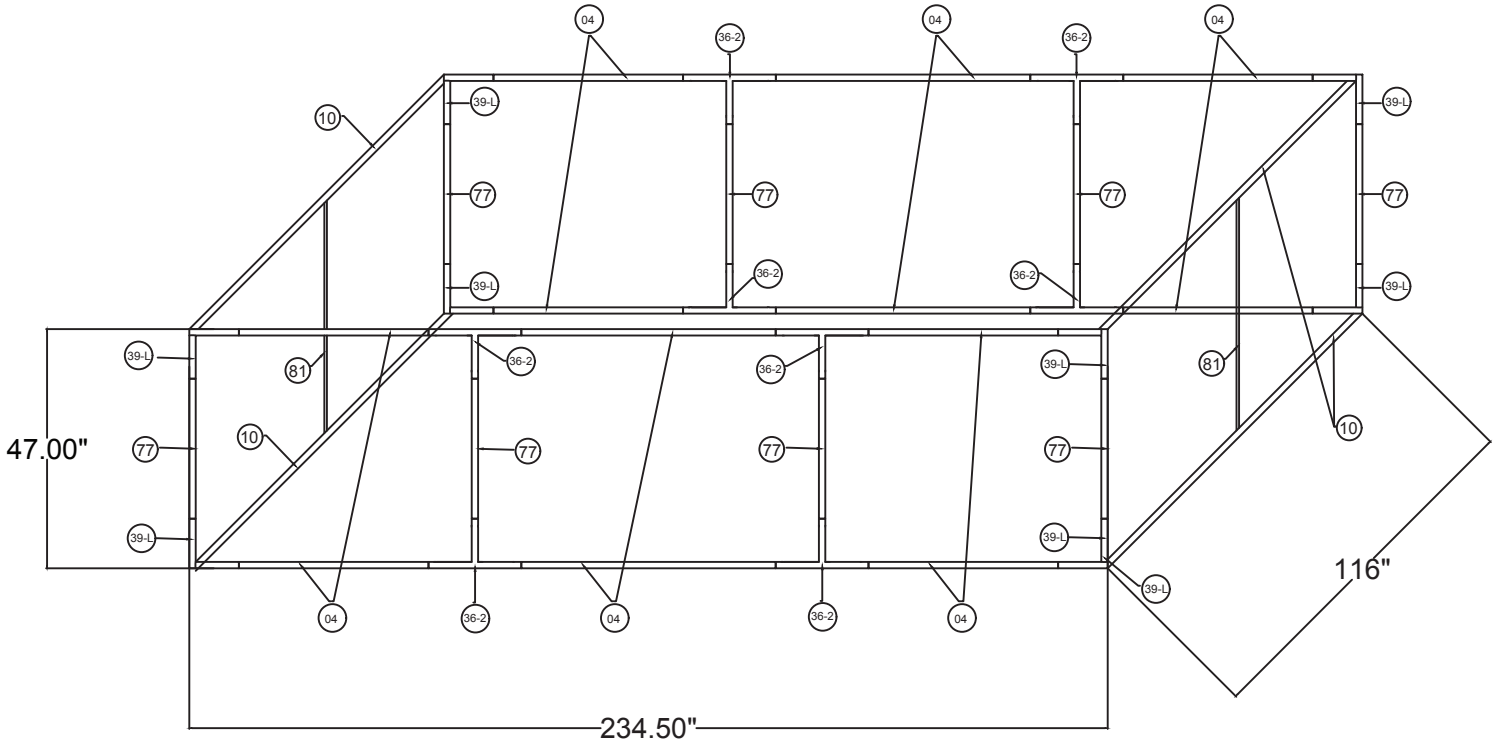


WAVELINE®

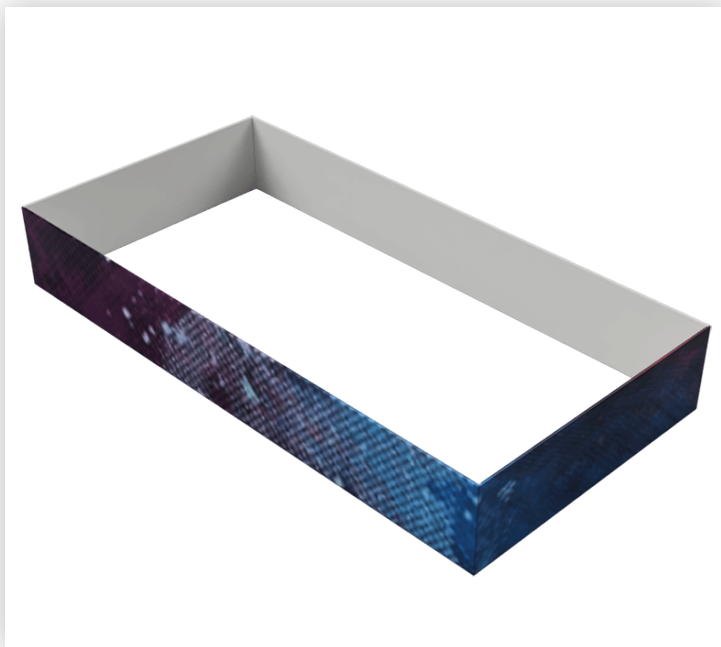
20'w x 4'h WL Hanging Sign



RHS2048

20'L x 10'w x 4'h Rectangular Hanging Sign

Qty.	Part Number
8	WLM#039-L
8	WLM#077
12	WLM#004
8	WLM#036-2-US
2	WLM#081
4	WLM#010
2	BGO-FABRIC-XL bag



Notes:

- * Does not include Hanging Cables
- * Will fit inside a CA600 or CA900 case



Hanging Sign Rigging Instructions



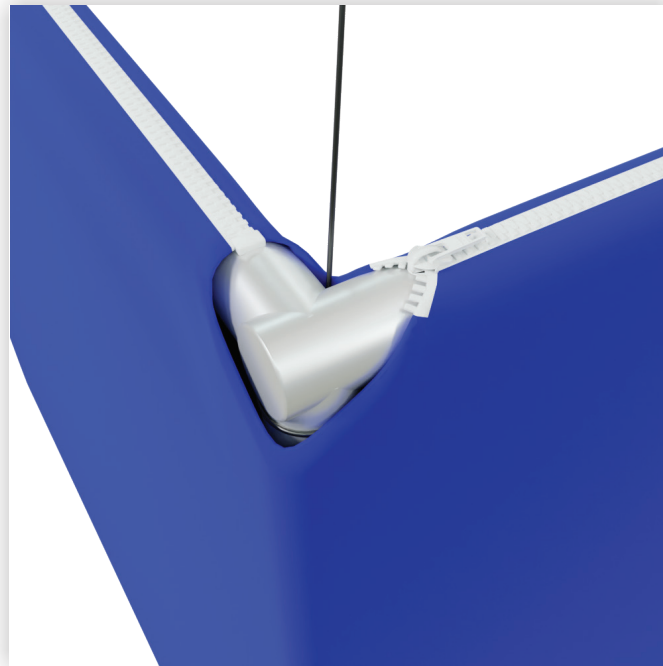
Step 1

After assembling the sign, locate the hanging points. There are openings on the zipper to allow for cables to be inserted



Step 2

Open the zippers to expose the hanging area, then wrap the cables around the vertical support pole



Step 3

Pull the cable through the opening in the fabric. Close the zippers.

*Hanging cables are not included in the kit, to be provided by on-site rigging team.